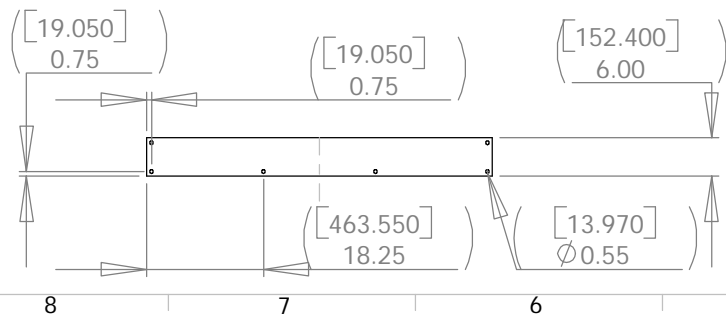
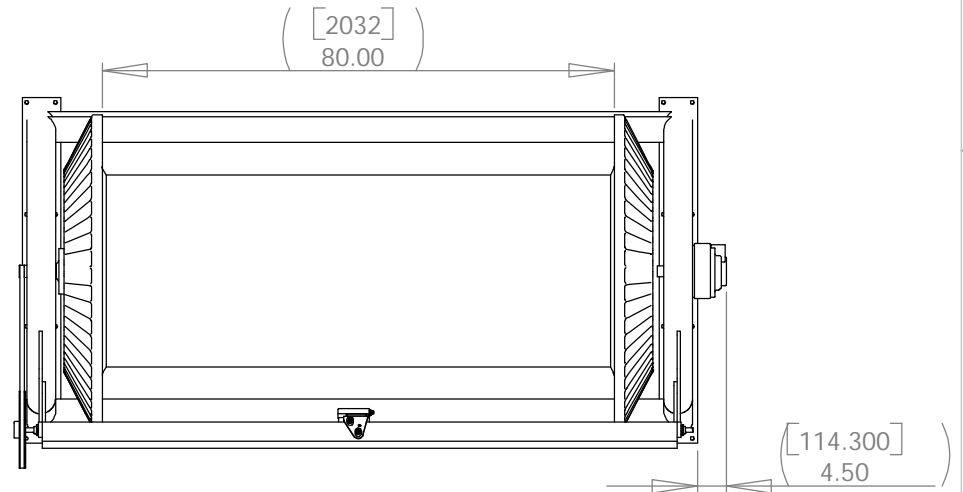
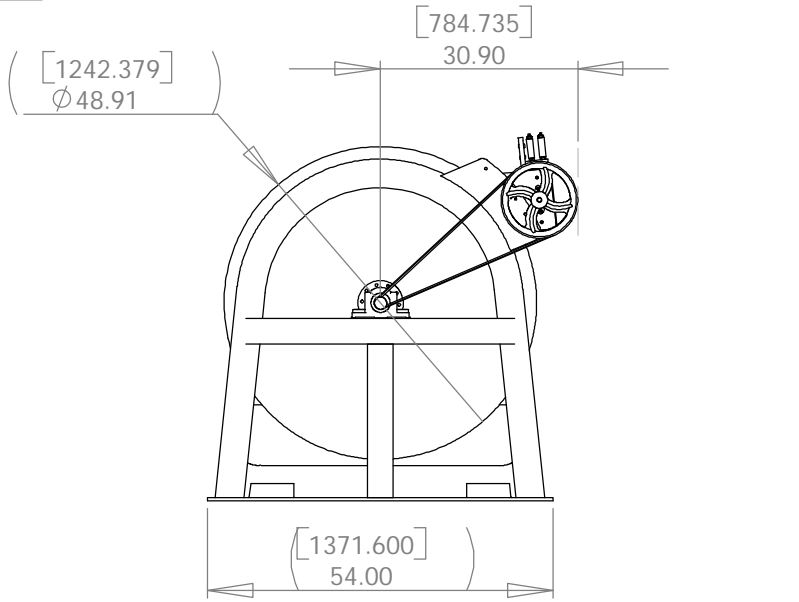
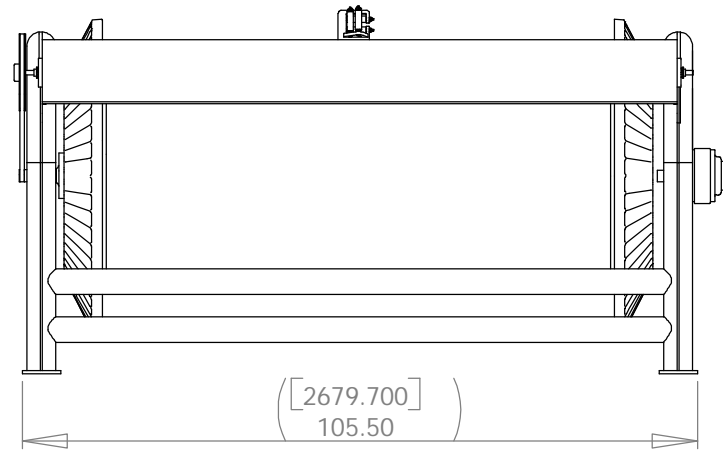
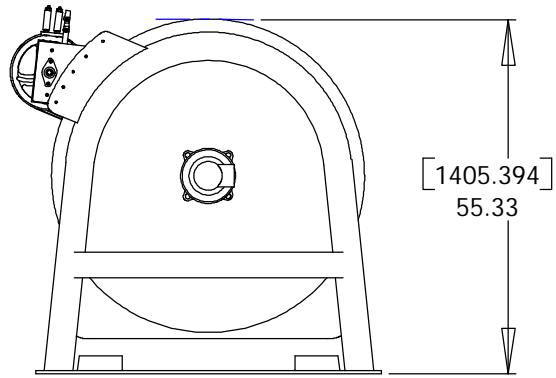



THE INFORMATION CONTAINED IN THIS DRAWING IS THE SOLE PROPERTY OF LINDGREN-PITMAN, INC. ANY REPRODUCTION IN PART OR WHOLE WITHOUT THE WRITTEN PERMISSION OF LINDGREN-PITMAN, INC. IS PROHIBITED.



NEXT ASSY	USED ON
APPLICATION	

ITEM NO.	PART OR IDENTIFYING NO.	NOMENCLATURE OR DESCRIPTION	MATERIAL SPECIFICATION	QTY REQD	
PARTS LIST					
UNLESS OTHERWISE SPECIFIED DIMENSIONS ARE IN INCHES TOLERANCES ARE: FRACTIONS DECIMALS ANGLES + .XX+ .XX + 1 .XXX+ .XXX		CAD GENERATED DRAWING, DO NOT MANUALLY UPDATE	 LINDGREN-PITMAN, INC. 48" x 80" SUPER SPOOL III		
MATERIAL --		APPROVALS			DATE
FINISH --		DRAWN			
		CHECKED			
		MFG ENG			
		QUAL ENG			
		RESP ENG			
SIZE	DWG. NO.			REV.	
A					
SCALE	CAD FILE:			SHEET OF	
				1 1	